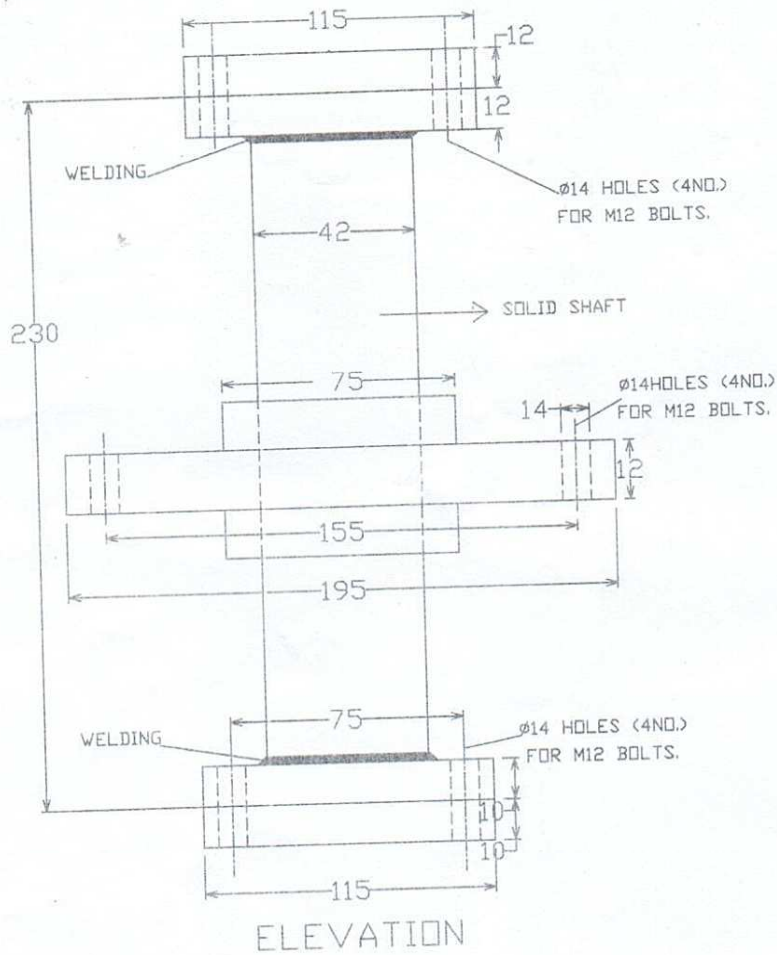
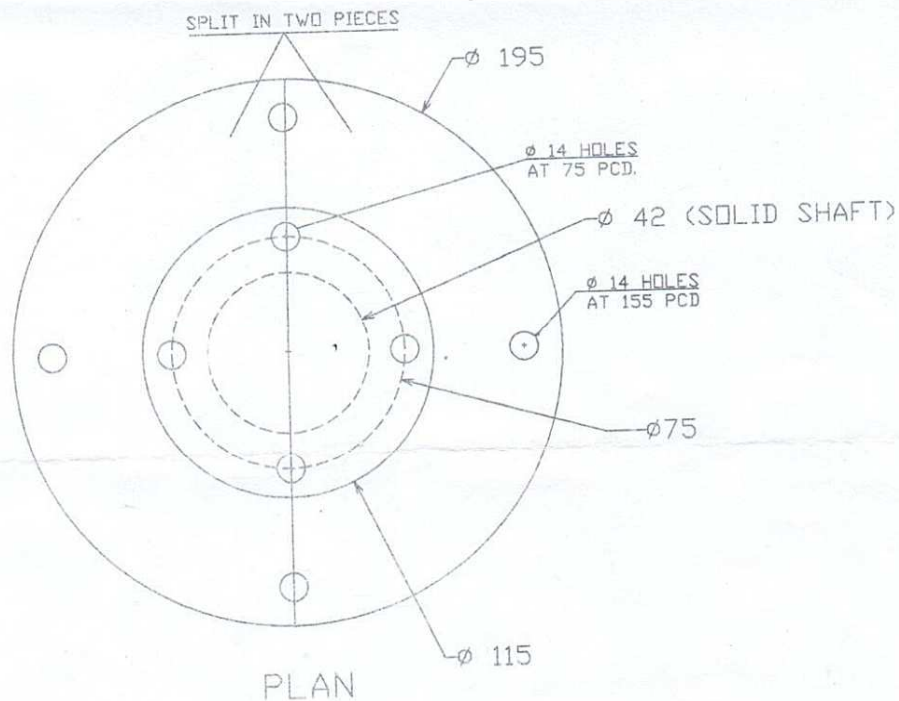


MIDDLE BEARING HOUSING

R/01-2



ELEVATION



PLAN

Sanyal
17-1-17
DM (Mech.)

RAJASTHAN STATE MINES AND MINERALS LTD. (A GOVT. OF RAJ. ENTERPRISE)	
NAME - MIDDLE BEARING HOUSING (FROTH PADDLE)	
DRG NO. - IBP/ MPP/MECH./ MK/ 85 (Ma) /2006	
MATERIAL - SHAFT EN-8, FLANGES M.S. ✓	
DIMENSIONS ARE IN MM AND DRG. NOT TO SCALE	

Note : Above drawing and dimensions are indicative however supplier/ manufacturer should confirm the fitment the item in our equipment. he may visit our plant prior to supply if desired